

Q2



STATEMENT OF LINE



Single-piece shell
Provides a natural cradle.

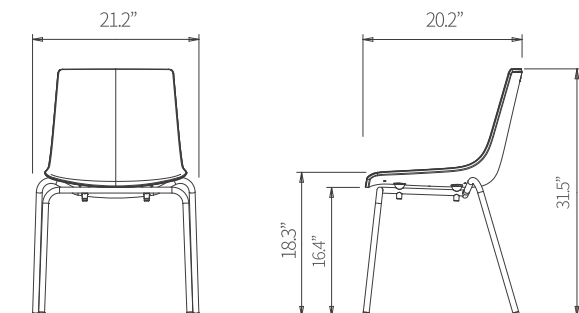
Q2_Sled



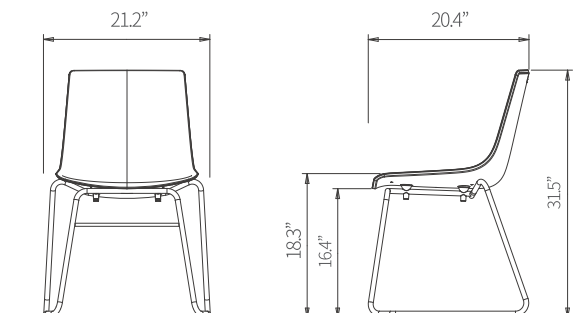
Q2_4leg
(Standard)

DIMENSIONS

· Q2_4leg



· Q2_Sled





Q2_Swivel

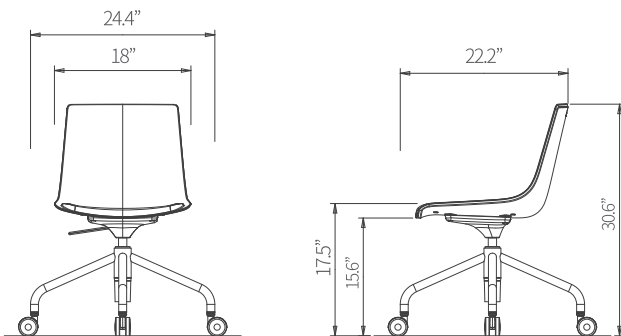
Casters

Soft dual-wheel casters are 2.6" O.D. for use on hard floors. Only available in Black.

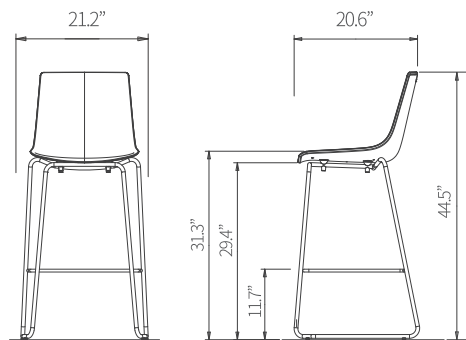


Q2_Bar Stool

· Q2_Swivel



· Q2_Bar Stool



FEATURES

- Multi-purpose seating including stacking, Bar stool and Swivel models
- Perfect for collaborative, meeting, training and break room spaces
- Single-piece shell Provides a natural cradle
- Optional cushions for seat
- 4-leg models stack 3 high on floor
- 5 plastic colors
- Standard 300 lbs. Weight capacity
- GREENGUARD GOLD certified

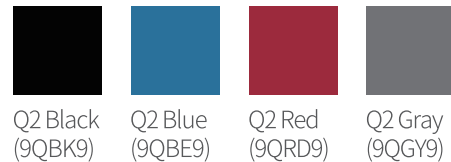
SPECIFICATIONS

· Net Weight (4leg)	11.2 lbs
· Net Weight (sled)	11.8 lbs
· Net Weight (bar)	15.2 lbs
· Net Weight (swivel)	17 lbs
· Shell	PP
· Frame	Steel Ø15.9
· Glide	PA6
· Seat Pan Frame	PP and PU
· Base Materials	Steel
· Casters Materials	PA6 and PU

PACKAGING (based on Standard Model)

- 2pcs packed in 1 box
- Carton Box Size(inch) : 21.6x22.4x18.9
- Container Loading Plan
 - 20ft : 176 boxes (352 chairs)
 - 40ft : 368 boxes (736 chairs)
 - 40H : 420 boxes (840 chairs)

SHELL COLORS



FRAME COLORS



Metallic Silver
(9QMS9)

CERTIFICATIONS

- ANSI/BIFMA X5.1-2017
- TB117-2013
- GREENGUARD Gold
- ISO 14001 & 9001



DUOREST CORP

3550 Wilshire Blvd., Suite 1110, Los Angeles, CA 90010
 www.DuorestSeating.com
 Sales@DuorestSeating.com